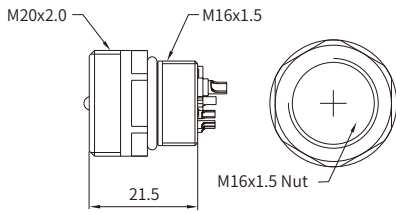


## M20 Straight Connector, Panel Mount, Solder, Rear Fastened

Male



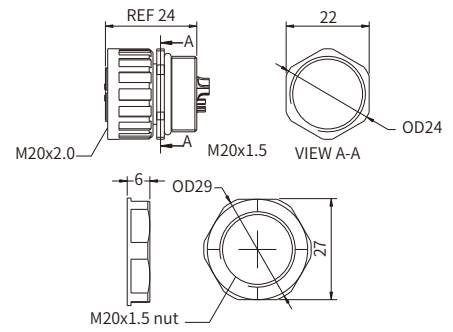
RoHS



Female



RoHS



### Specifications

Contacts	3+5
Certification	ECBT2(ECBT8).E473386
Pin layout(Male)	
Pin layout(Female)	
Ambient temperature	-25°C ~ +125°C
Connector insert	PBT
Connector contacts	Brass with gold plated
Coupling nut/screw	PA66(Male) / ASA(Female)
Seal/O-ring	Silicone
Insulation resistance	≥100MΩ
Contact resistance	≤5mΩ
Shielding	Unavailable
IP rating	IP67, IP68 in locked condition
Mating endurance	>500 cycles
Rated current	4A(signal 5Pins) / 13A(power 3Pins)
Rated voltage	300V AC / DC
Wire gauge	Signal 5Pins: 0.14~0.3mm <sup>2</sup> (AWG26~22) / Power 3Pins: 0.5~2.5mm <sup>2</sup> (AWG18~14)

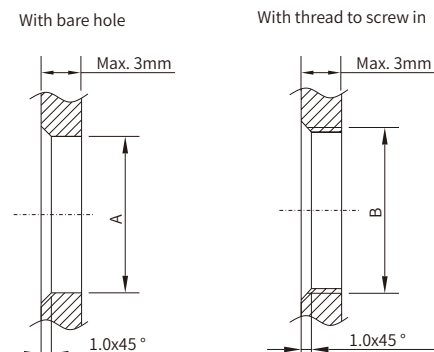
### Part Number

Pins	Male	Female
3+5	MA20MSARP3+5ST-5	MA20FSARP3+5ST-5

### Default wire colors

Pin No.	Color
L	BN
N	BK
G	YE/EN
Pin 1	BRAID
Pin 2	RD
Pin 3	GY
Pin 4	GN
Pin 5	WH

### Panel Cut-out Dimensions



	A	B
M16	16 <sup>+0.1</sup> <sub>0</sub>	M16x1.5